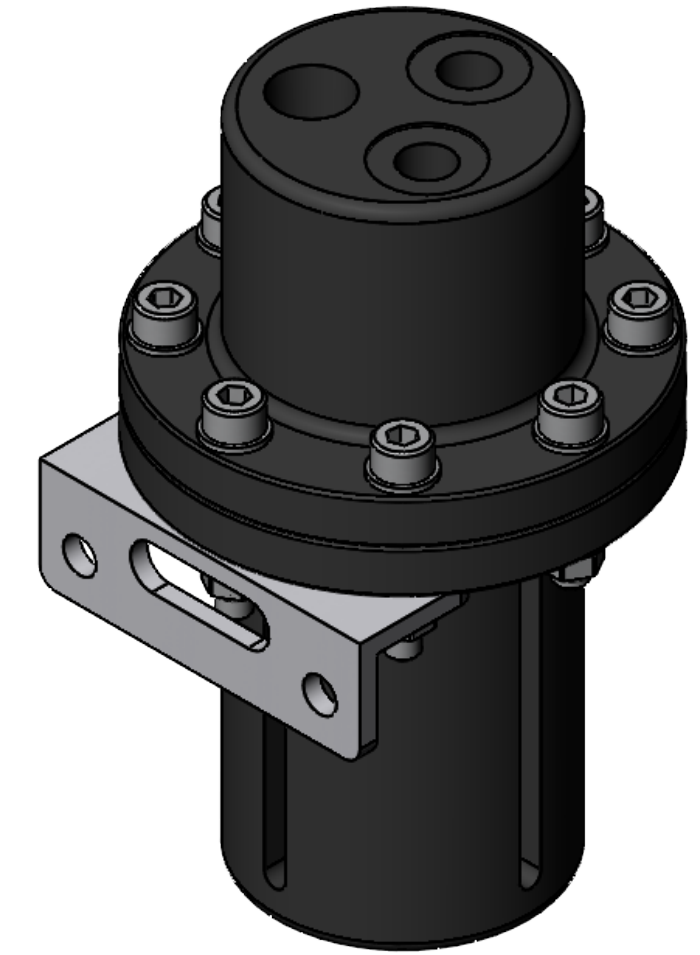
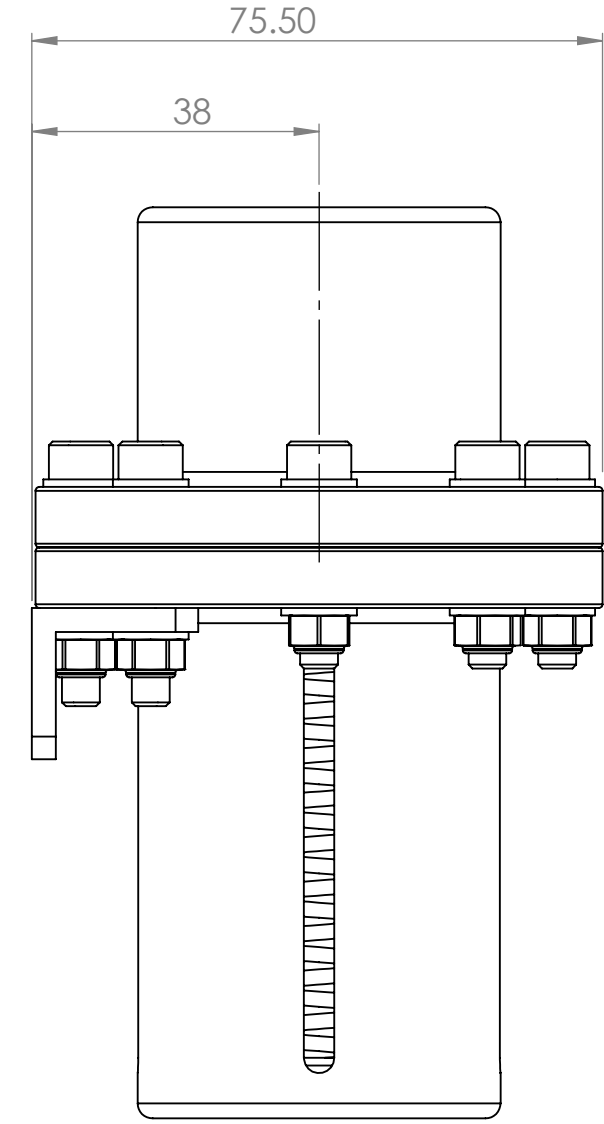
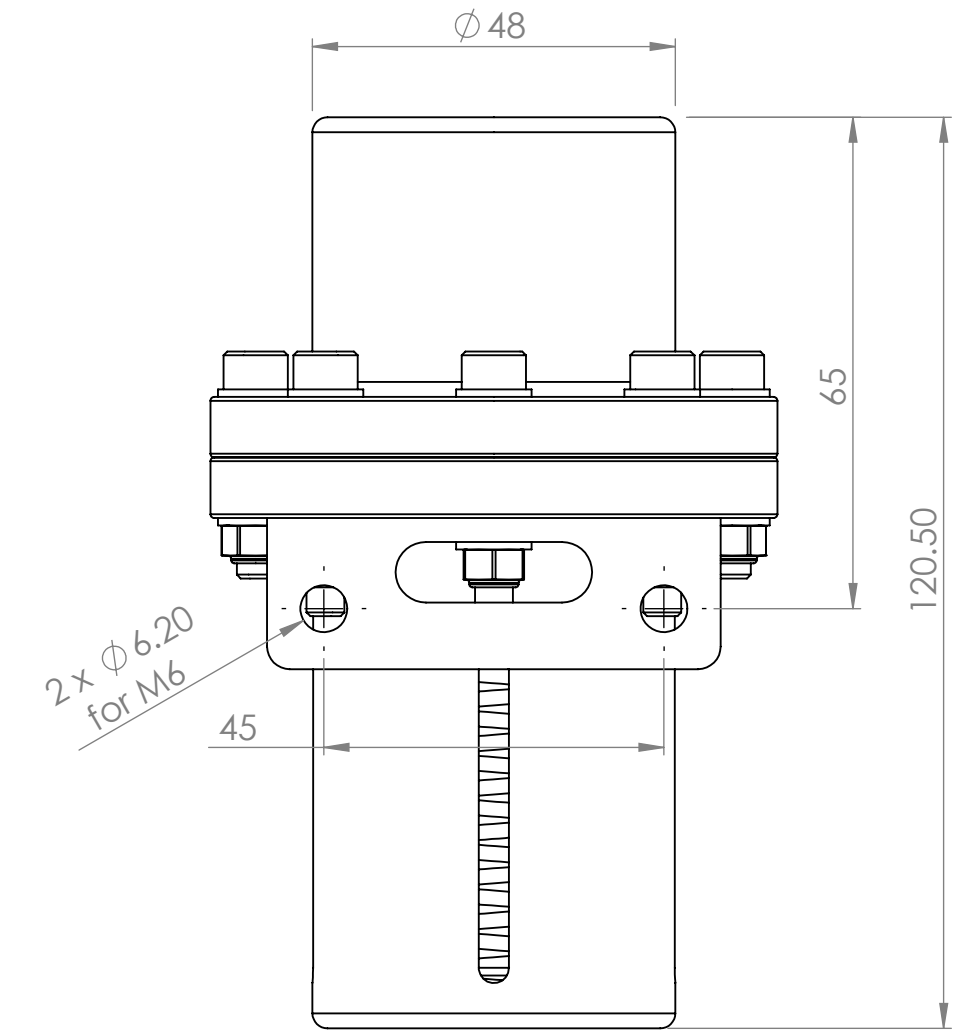
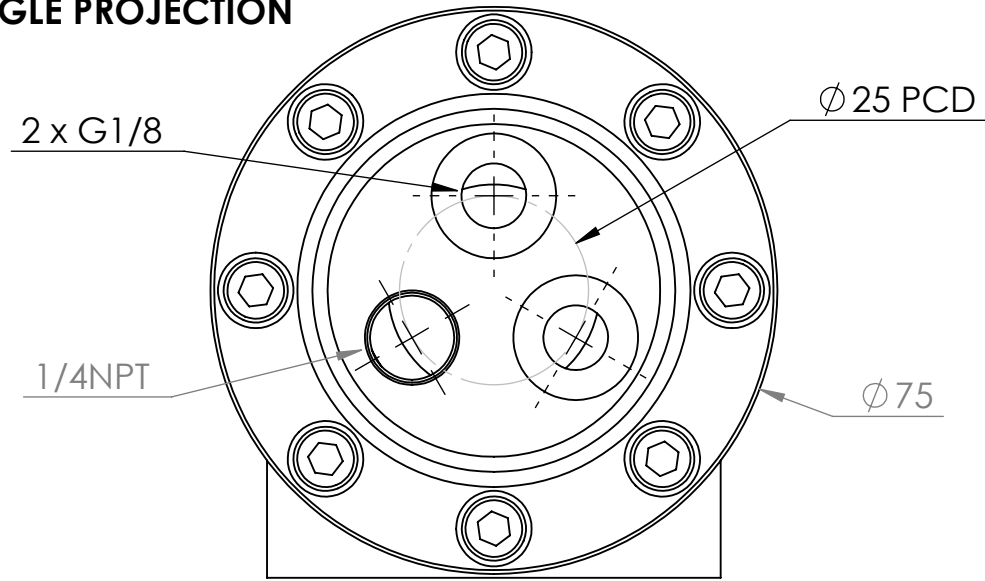


**DO NOT SCALE DRAWING
THIRD ANGLE PROJECTION**



NOTES

1. Compensator capacity: 74cc
2. Max working pressure: 1.1bar

REV	DRAWN	APPV'D	DATE	DESCRIPTION
1	DGM		18/07/24	ISSUED FOR INFORMATION

RECORD OF REVISIONS

Macduff Robotics Ltd
Aberdeen, Scotland.
www.macduff-robotics.com
enquiries@macduff-robotics.com

MATERIAL:
-
FINISH:
-
TOLERANCE:
+/- 0.1mm
WEIGHT:

TITLE:
**74cc Compensator
Assembly - General Purpose**
SHEET 1 OF 1
DWG NO. **GA0073**
SCALE:1:1
REVISION **1**
A3

DIMENSIONS ARE IN MILLIMETERS, UNLESS OTHERWISE SPECIFIED